



Gas sensor KSEC 504

for detection of Carbon Monoxide CO



Features

- The gas detector measures the selected gas concentration
- The gas detector is part of the digital KIMESSA CANline BUS-Network which is designed for up to 128 gas detectors and alarming units
- linearized and temperature-compensated digital CANline-BUS output signal
- 16...30 VDC supply voltage (4-wire cable)
- various gas sensor technologies available (electrochemical, Infrared, pellistor, semiconductor)
- factory calibration with calibration certificate to the specified measuring range
- Zero & Span potentiometers and calibration jack socket accessible from outside without opening the gas detector enclosure

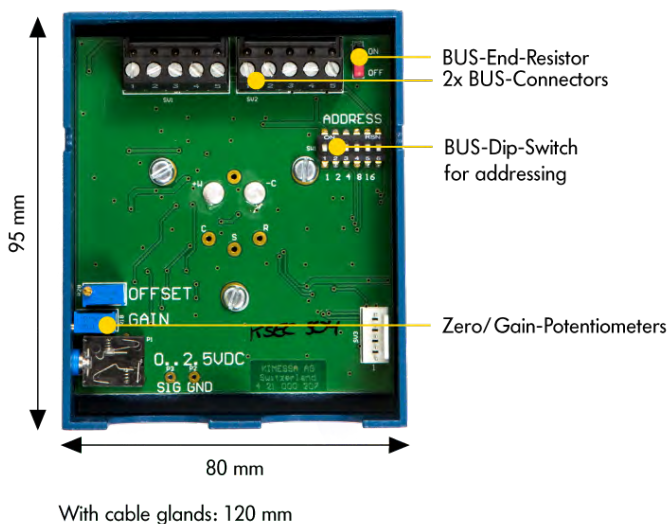
Gas sensor KSEC 504

Gas:	Carbon Monoxide
Gas formula:	CO
Warranty:	12 month warranty
Position:	1,5 meter from floor

Sensor specifications

Measurement principle:	Electrochemical
Measuring range:	0...250 ppm
Standard calibration:	0...100/250/300/500/1000
Response time t_{90} :	< 50 sec
Operating temperature:	-10 °C ... +50 °C
Start up after reconditioning:	approx. 1 hour
Pressure range:	atmospheric \pm 10%
Air humidity:	15...90% R.H. non-condensing
Position sensitivity:	none
Long term output drift:	< 5% signal loss/year
Life span at 20 °C:	> 5 years, depending on the application

Electronic and Dimensions



Housing

Housing protection:	IP 32
Material:	Aluminum,
Weight:	600 g

Specifications electronic

Wiring digital:	4x 1,0 mm ² , shielded
Supply:	16.5...30 VDC
Power consumption:	max. 20 mA
Output signal digital:	KIMESSA CANBUS
Switching output:	no

Specifications construction

Cable gland:	2x M16
Cable entry:	bottom
Tests:	CE
Display:	no
Position:	position independent

Inspection (Maintenance)

The sensor and the electronic require an inspection. Routine calibration is recommended once or twice a year.

